

Wundhaken

Retractors



Bauchspatel

Abdominal spatula

Spatula abdominales

Espátulas abdominales

Spatole addominali



RIBBON

	19 mm	25 mm	30 mm	40 mm	50 mm
330 mm – 13"	318-166-190	318-166-250	318-166-320	318-166-400	318-166-500

biegsam
malleable
malléable
maleable
flessibile



RIBBON

	6 mm	9 mm	12 mm	17 mm	20 mm
200 mm – 8"	318-164-060	318-164-090	318-164-120	318-164-170	318-164-200

weich
soft
souple
flexible
morbido

	25 mm
250 mm – 9¾"	318-164-250

weich
soft
souple
flexible
morbido

	6,5 mm	9,5 mm	13 mm	16 mm	19 mm	25 mm
200 mm – 8"	415-971-060	415-971-090	415-971-130	415-971-160	415-971-190	415-971-250

biegsam, sehr weich
malleable, very soft
malléable, très souple
maleable, muy flexible
flessibile, molto morbido

Bauchspatel

Abdominal spatula

Spatula abdominales

Espátulas abdominales

Spatole addominali



HABERER

200 mm – 8"	280 mm – 11"	300 mm – 12"
17 mm x 25 mm	25 mm x 30 mm	37 mm x 45 mm
318-170-170	318-170-250	318-170-370

biegsam
malleable
malléable
maleable
flessibile



REVERDIN

1:2

280 mm – 11"	46 mm x 60 mm	318-171-280
--------------	---------------	-------------

Wundhaken

Retractors



Wundspreizer
Retractors
Ecarteurs
Separadores
Divaricatori



O'SULLIVAN-O'CONNOR

Fig. 1	Fig. 2	Fig. 3	Set
45 mm x 17 mm	90 mm x 37 mm	90 mm x 45 mm	Fig. 1, 2, 3
62-293-001	62-293-002	62-293-003	62-290-000

komplett
complete
complet
completo
completo



FRIEDMANN

100 mm – 4"	370-347-100
-------------	-------------

Laminektomiesperrer

Laminectomy retractors

Ecarteurs pour laminectomie

Separadores para laminectomía

Divaricatori per laminectomia



CLOWARD

1:3



1:3

160 mm – 6¼"	250 mm – 9¾"
318-707-000	318-706-000

komplett mit je 2 Valven Fig. 1 - Fig. 5

complete with 2 blades ea. Fig. 1 - Fig. 5
complet avec 2 valves chacune Fig. 1 - Fig. 5
completo con 2 valvas de cada Fig. 1 - Fig. 5
completo con 2 valve Fig. 1 - Fig. 5

komplett mit je 2 Valven Fig. 1 - Fig. 5

complete with 2 blades ea. Fig. 1 - Fig. 5
complet avec 2 valves chacune Fig. 1 - Fig. 5
completo con 2 valvas de cada Fig. 1 - Fig. 5
completo con 2 valve Fig. 1 - Fig. 5

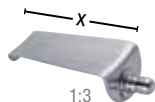
318-707-010	318-706-010
-------------	-------------

Sperrer ohne Valven

Retractor without blades
Ecarteur sans valves
Separador sin valvas
Divaricatore senza valve

Sperrer ohne Valven

Retractor without blades
Ecarteur sans valves
Separador sin valvas
Divaricatore senza valve



1:3

x = 40 mm	318-707-400
x = 45 mm	318-707-450
x = 50 mm	318-707-500
x = 55 mm	318-707-550
x = 60 mm	318-707-600

stumpf
blunt
mousse
romo
smusso



1:3

x = 40 mm	318-706-400
x = 45 mm	318-706-450
x = 50 mm	318-706-500
x = 55 mm	318-706-550
x = 60 mm	318-706-600

gezahnt
toothed
dentelée
dentada
dentata

Wundhaken

Retractors



Laminektomiesperrer

Laminectomy retractors

Ecarteurs pour laminectomie

Separadores para laminectomía

Divaricatori per laminectomia



165 mm – 6 1/2"	270 mm – 10 3/4"
340-401-170	340-401-270

CLOWARD- VERTREBRA



160 mm – 6 1/4"	340-397-160
-----------------	-------------

Wundhaken Retractors

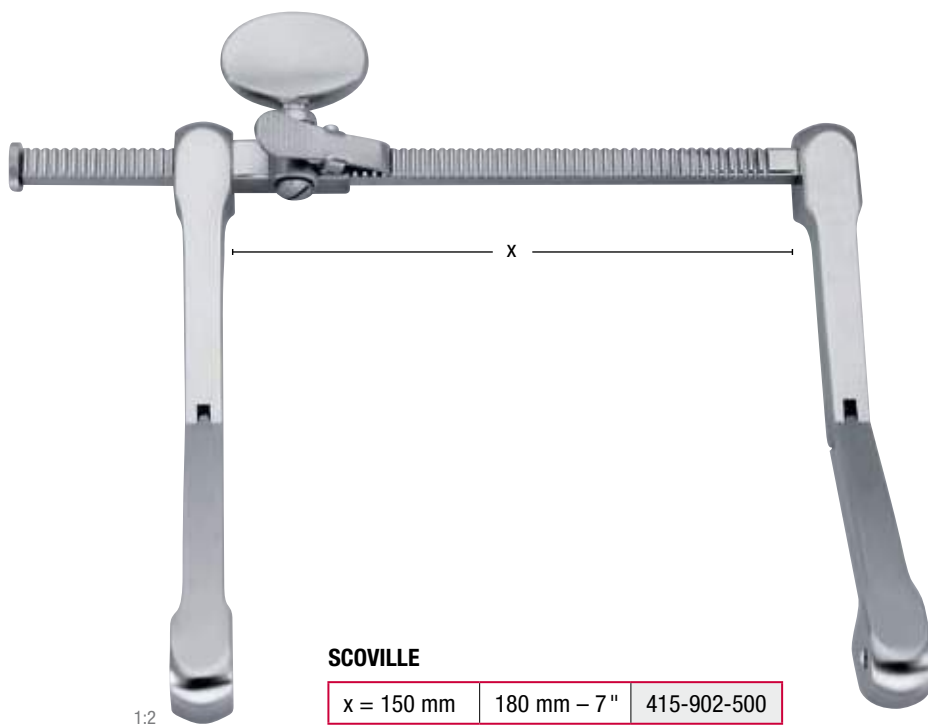
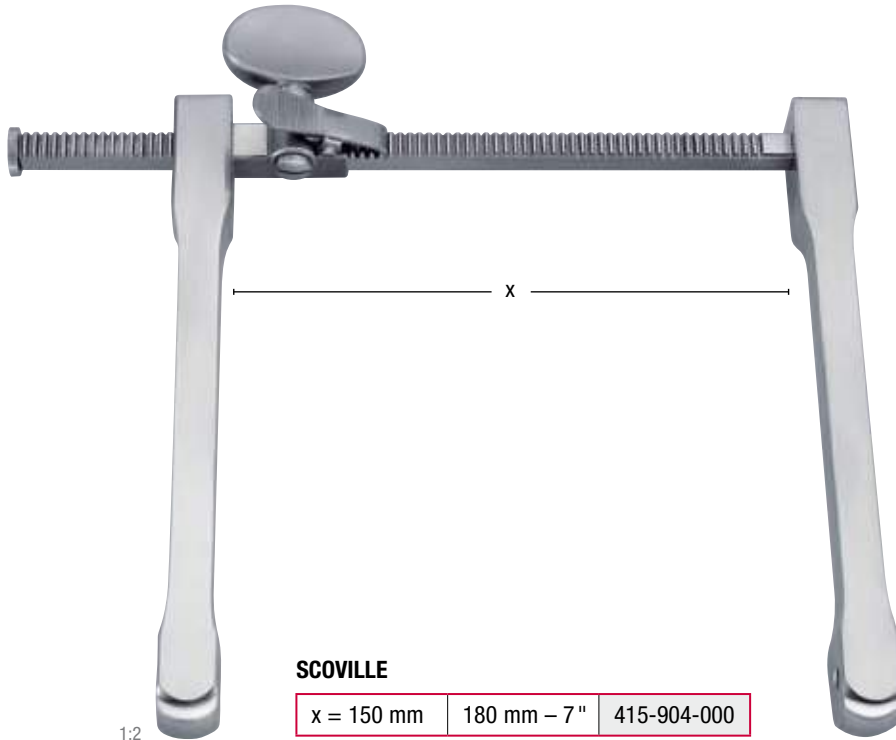
Laminektomiesperrer

Laminectomy retractors

Ecarteurs pour laminectomie

Separadores para laminectomía

Divaricatori per laminectomia



Wundhaken Retractors



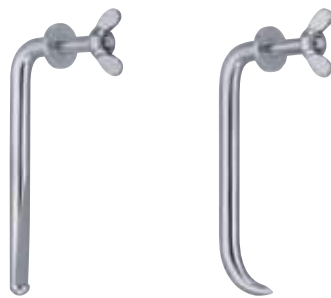
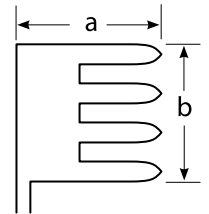
Laminektomiesperrer

Laminectomy retractors

Ecarteurs pour laminectomie

Separadores para laminectomía

Divaricatori per laminectomia



SCOVILLE

50 mm – 2"	415-902-010	415-902-060
70 mm – 2 3/4"	415-902-020	415-902-070

stumpf
blunt
mousse
romo
smusso

spitz
sharp
pointu
aguda
acuta



TAYLOR

a = 48 mm – b = 50 mm – 2" x 2"	415-902-410
a = 63 mm – b = 50 mm – 2 1/2" x 2"	415-902-420
a = 64 mm – b = 64 mm – 3 1/4" x 2 1/4"	415-902-430
a = 80 mm – b = 57 mm – 3" x 2"	415-902-440



SCOVILLE

a = 40 mm – b = 37 mm – 1 1/2" x 1 1/2"	415-902-460
a = 65 mm – b = 44 mm – 2 1/2" x 1 3/4"	415-902-470



TAYLOR

a = 75 mm – b = 32 mm – 3" x 1 1/4"	415-902-532
a = 100 mm – b = 42 mm – 4" x 1 2/3"	415-902-542

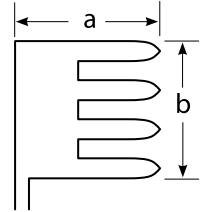
Laminektomiesperrer

Laminectomy retractors

Ecarteurs pour laminectomie

Separadores para laminectomía

Divaricatori per laminectomia



MEYERDING

a = 57 mm – b = 25 mm – 2¼" x 1"	415-902-557
a = 76 mm – b = 25 mm – 3" x 1"	415-902-576
a = 88 mm – b = 51 mm – 3½" x 2"	415-902-588



SCOVILLE

a = 64 mm – b = 25 mm – 2½" x 1"	415-902-110
a = 64 mm – b = 50 mm – 2½" x 2"	415-902-120
a = 88 mm – b = 25 mm – 3½" x 1"	415-902-130



EPSTEIN

1:2

a = 56 mm – b = 25 mm – 2¼" x 1"	415-902-656
----------------------------------	-------------



HIBBS

a = 50 mm – b = 20 mm – 2" x ¾"	415-903-001
a = 50 mm – b = 25 mm – 2" x 1"	415-903-002
a = 50 mm – b = 50 mm – 2" x 2"	415-903-003
a = 63 mm – b = 25 mm – 2½" x 1"	415-903-004
a = 63 mm – b = 37 mm – 2½" x 1½"	415-903-005
a = 76 mm – b = 25 mm – 3" x 1"	415-903-006
a = 76 mm – b = 38 mm – 3" x 1½"	415-903-007
a = 76 mm – b = 50 mm – 3" x 2"	415-903-008
a = 76 mm – b = 63 mm – 3" x 2½"	415-903-009
a = 90 mm – b = 25 mm – 3½" x 1"	415-903-010
a = 90 mm – b = 37 mm – 3½" x 1½"	415-903-011
a = 102 mm – b = 25 mm – 4" x 1"	415-903-012
a = 102 mm – b = 50 mm – 4" x 2"	415-903-013

Wundhaken Retractors



Laminektomiesperrer Laminectomy retractors

*Ecarteurs pour laminectomie
Separadores para laminectomía
Divaricatori per laminectomia*



CASPAR 1:2



1:2

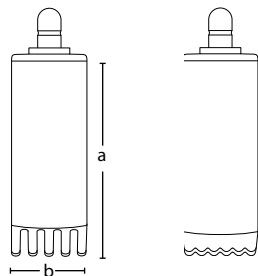
318-719-000	318-721-000
--------------------	--------------------

**komplett mit 5 medial Valven 318-714-400 – 318-714-600
und mit 5 lateral Valven 318-715-400 – 318-715-600**
complete with 5 medial blades 318-714-400 – 318-714-600
and with 5 lateral blades 318-715-400 – 318-715-600
complet avec 5 valves médianes 318-714-400 – 318-714-600
et avec 5 valves latérales 318-715-400 – 318-715-600
completo con 5 valvas mediales 318-714-400 – 318-714-600
y con 5 valvas laterales 318-715-400 – 318-715-600
completo con 5 valvas mediali 318-714-400 – 318-714-600
e con 5 valvas laterali 318-715-400 – 318-715-600

komplett mit 5 Valven 318-712-450 – 318-712-650
complete with 5 blades 318-712-450 – 318-712-650
complet avec 5 valves 318-712-450 – 318-712-650
completo con 5 valvas 318-712-450 – 318-712-650
completo con 5 valvas 318-712-450 – 318-712-650

318-719-120	318-721-110
--------------------	--------------------

Sperrer ohne Valven
Retractor without blades
Ecarteur sans valves
Separador sin valvas
Divaricatore senza valve



CASPAR

	medial	lateral
a = 40 mm – b = 23 mm	318-714-400	318-715-400
a = 45 mm – b = 23 mm	318-714-450	318-715-450
a = 50 mm – b = 23 mm	318-714-500	318-715-500
a = 55 mm – b = 23 mm	318-714-550	318-715-550
a = 60 mm – b = 23 mm	318-714-600	318-715-600

Sperrer ohne Valven
Retractor without blades
Ecarteur sans valves
Separador sin valvas
Divaricatore senza valve



CASPAR

a = 45 mm – b = 23 mm	318-712-450
a = 50 mm – b = 23 mm	318-712-500
a = 55 mm – b = 23 mm	318-712-550
a = 60 mm – b = 23 mm	318-712-600
a = 65 mm – b = 23 mm	318-712-650

stumpf
blunt
mousse
romo
smusso

Laminektomiesperrer

Laminectomy retractors

Ecarteurs pour laminectomie

Separadores para laminectomía

Divaricatori per laminectomia



CASPAR

318-729-001

komplett mit 5 Valven 318-712-450 – 318-712-650
complete with 5 blades 318-712-450 – 318-712-650
complet avec 5 valves 318-712-450 – 318-712-650
completo con 5 valvas 318-712-450 – 318-712-650
completo con 5 valve 318-712-450 – 318-712-650

318-729-002

Sperrer ohne Valven

Retractor without blades

Ecarteur sans valves

Separador sin valvas

Divaricatore senza valve



318-729-012

Schlüssel

Key

Clé

Llave

Chiave

Wundhaken

Retractors



Laminektomiesperrer

Laminectomy retractors

Ecarteurs pour laminectomie

Separadores para laminectomía

Divaricatori per laminectomia

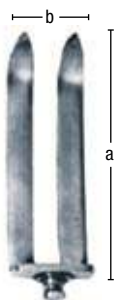


CASPAR

1:1

1:1

38 mm	58 mm
318-727-500	318-727-700



a = 35 mm – b = 22 mm	318-728-350
a = 40 mm – b = 22 mm	318-728-400
a = 45 mm – b = 22 mm	318-728-450
a = 50 mm – b = 22 mm	318-728-500
a = 55 mm – b = 22 mm	318-728-550
a = 60 mm – b = 22 mm	318-728-600
a = 65 mm – b = 22 mm	318-728-650
a = 70 mm – b = 22 mm	318-728-700

a = 35 mm – b = 37 mm	318-729-350
a = 40 mm – b = 37 mm	318-729-400
a = 45 mm – b = 37 mm	318-729-450
a = 50 mm – b = 37 mm	318-729-500
a = 55 mm – b = 37 mm	318-729-550
a = 60 mm – b = 37 mm	318-729-600
a = 65 mm – b = 37 mm	318-729-650
a = 70 mm – b = 37 mm	318-729-700

a = 35 mm – b = 52 mm	318-730-350
a = 40 mm – b = 52 mm	318-730-400
a = 45 mm – b = 52 mm	318-730-450
a = 50 mm – b = 52 mm	318-730-500
a = 55 mm – b = 52 mm	318-730-550
a = 60 mm – b = 52 mm	318-730-600
a = 65 mm – b = 52 mm	318-730-650
a = 70 mm – b = 52 mm	318-730-700

Wundhaken Retractors

Wundspreizer zur Mikrodiskektomie

Retractors for Micro-Lumbar Discectomy

Retracteurs pour la micro discectomie lumbaire

Retractor para la micro discectomía lumbar

Divaricatore per la micro dissezione lombare



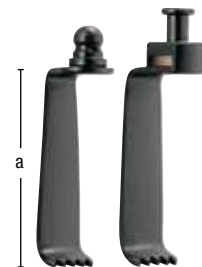
CASPAR 1:2

a = 40 mm	318-744-400
a = 45 mm	318-744-450
a = 50 mm	318-744-500
a = 55 mm	318-744-550
a = 60 mm	318-744-600
a = 65 mm	318-744-650
a = 75 mm	318-744-750
a = 85 mm	318-744-850



Mit schwarzer Oberfläche

With black finish
Avec finition noir
Con color negro
Con superficie nera



CASPAR

a = 35 mm	318-734-350	
a = 40 mm	318-734-400	318-741-400
a = 45 mm	318-734-450	318-741-450
a = 50 mm	318-734-500	318-741-500
a = 55 mm	318-734-550	318-741-550
a = 60 mm	318-734-600	318-741-600
a = 65 mm	318-734-650	318-741-650
a = 70 mm		318-741-700
a = 75 mm	318-734-750	
a = 85 mm	318-734-850	



Mit schwarzer Oberfläche

With black finish
Avec finition noir
Con color negro
Con superficie nera



CASPAR

318-734-010

1:2

Wundhaken Retractors



08

Hypophysenspekulum
Speculum for hypophysectomy
Spéculum pour hypophysectomie
Espéculo para hipofisectomía
Specolo per ipofisectomia



Mit schwarzer Oberfläche
With black finish
Avec finission noir
Con color negro
Con superficie nera



x = 70 mm	340-797-700
x = 90 mm	340-797-900
x = 110 mm	340-798-100

Spekulum für trans-sphenoidale Hypophysectomie
Speculum for trans-sphenoidal hypophysectomy
Spéculum pour hypophysectomie trans-sphenoidable
Espéculo para hipofisectomía transfenoidal
Specolo per ipofisectomia trans-sfenoidale